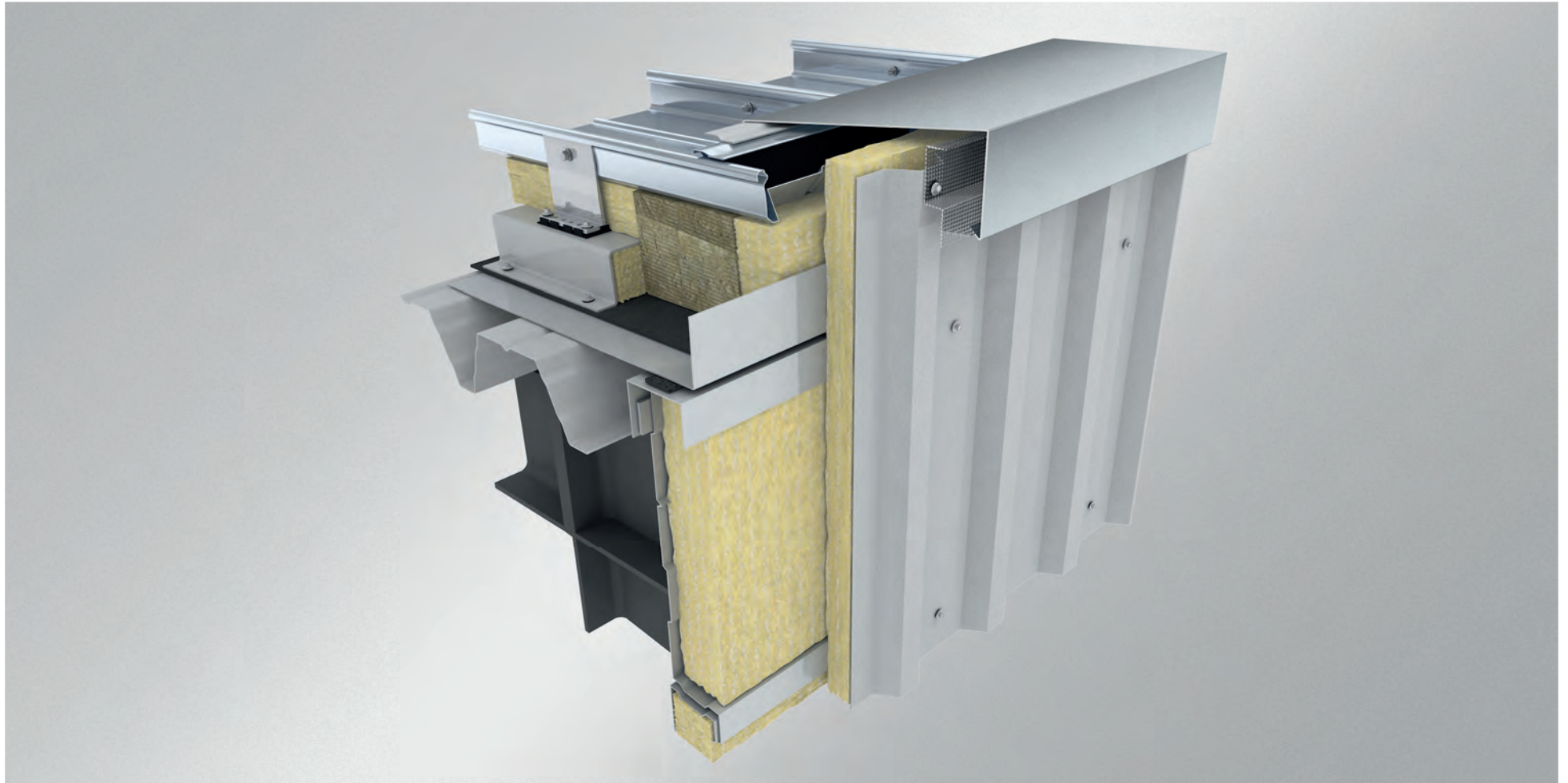
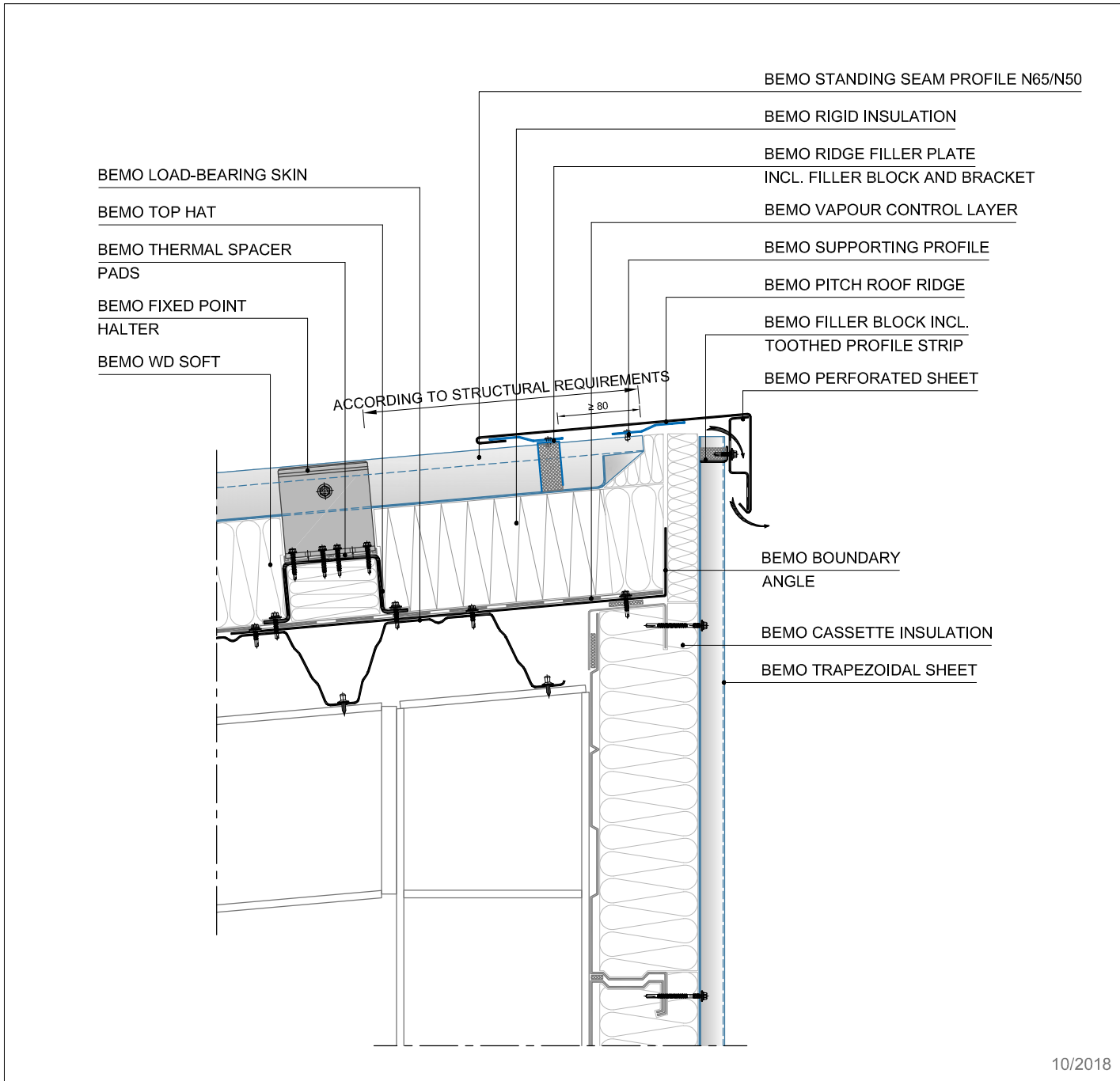

SINGLE PITCH ROOF





DRAWING TITLE:

**PITCH ROOF RIDGE
STRUCTURAL DECK (TRANSVERSE)**

TYPE:

LONGITUDINAL SECTION

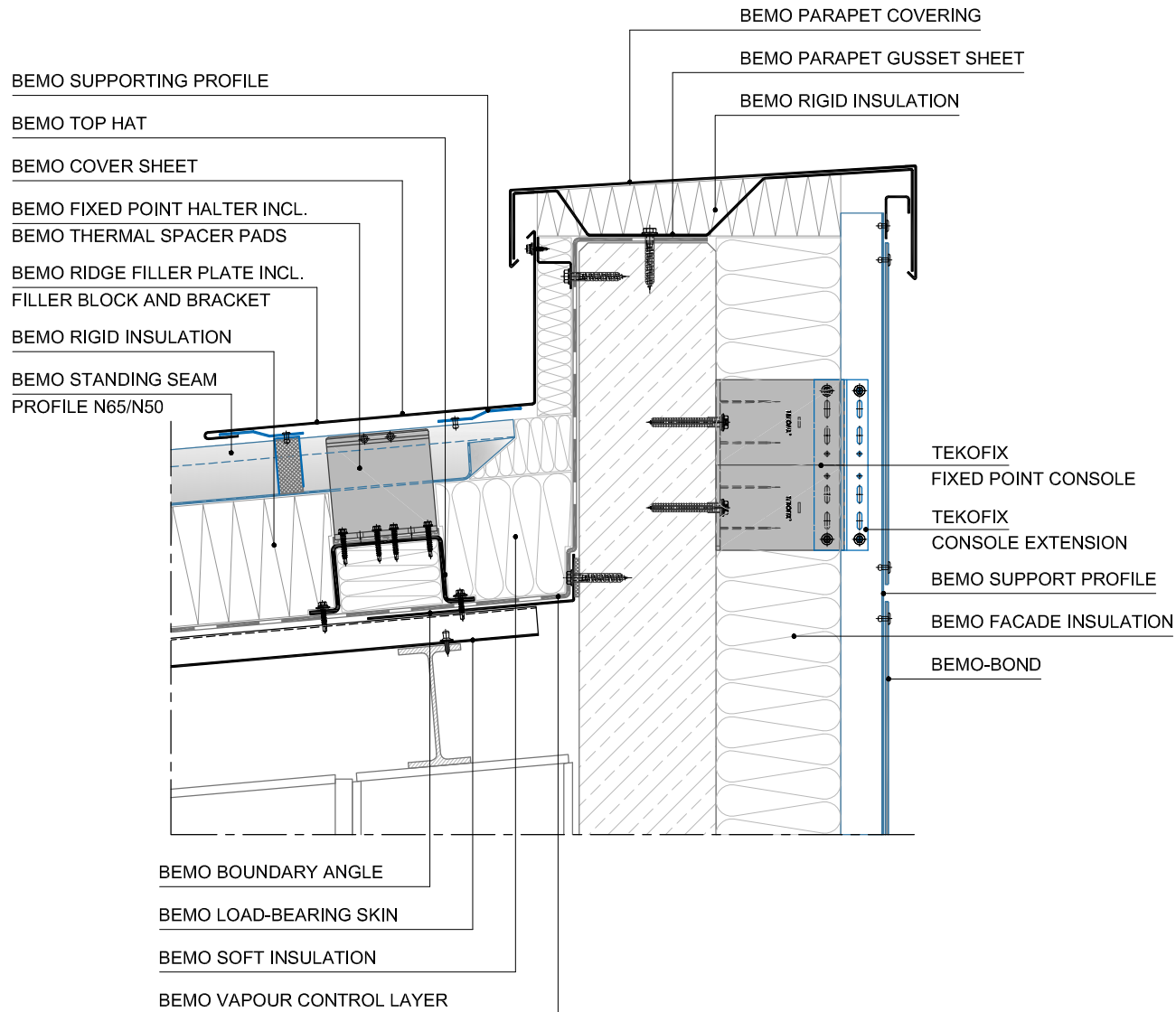
TYPICAL DETAIL

1201d

BEMO Systems GmbH
Max-Eyth-Straße 2
D-74532 Ilshofen-Eckartshausen
Germany

T: +49(0)7904 29899-60
F: +49(0)7904 29899-61
E: sales@bemo.com
W: www.bemo.com

This drawing is the exclusive property of BEMO Systems GmbH. It may not be duplicated or made accessible to third parties without our prior consent. We reserve all rights, including in the case of granting a patent or granting a utility model. The illustrated construction details are non-binding solution proposals, in detail must be checked for applicability and accuracy for each project.



DRAWING TITLE:

**PITCH ROOF RIDGE AT PARAPET
STRUCTURAL DECK (TRANSVERSE)**

TYPE:

LONGITUDINAL SECTION

TYPICAL DETAIL

1202e

BEMO Systems GmbH
 Max-Eyth-Straße 2
 D-74532 Ilshofen-Eckartshausen
 Germany

T: +49(0)7904 29899-60
 F: +49(0)7904 29899-61
 E: sales@bemo.com
 W: www.bemo.com

This drawing is exclusively our property. It may not be copied or given to third parties without our prior consent. All rights, including rights created by patent grant or registration of a utility model or design, are reserved. The pictured construction details are non-binding proposals which have to be checked in detail for each project concerning applicability and correctness.

BEMO CONNECTION STRIP

BEMO VENTILATION PROFILE PERFORATED

BEMO RIDGE FILLER PLATE INCL.

BEMO FILLER BLOCK AND BRACKET

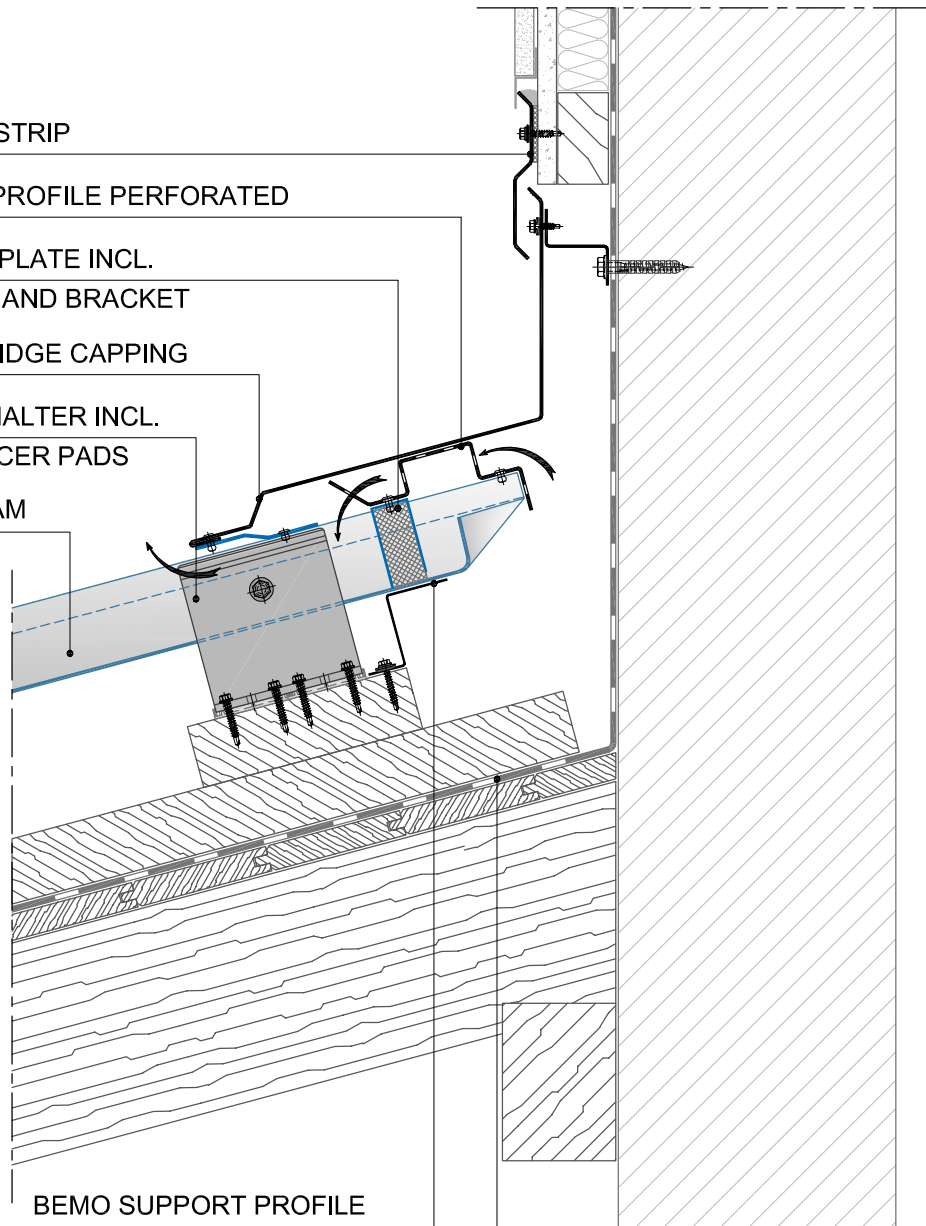
BEMO VENTILATED RIDGE CAPPING

BEMO FIXED POINT HALTER INCL.

BEMO THERMAL SPACER PADS

BEMO STANDING SEAM

PROFILE N65/N50



BEMO SUPPORT PROFILE

BEMO ROOF LINING MEMBRANES

DRAWING TITLE:

**PITCH ROOF RIDGE AT WALL
RAFTER ROOF**

TYPE:

LONGITUDINAL SECTION

TYPICAL DETAIL

1203d

BEMO Systems GmbH
Max-Eyth-Straße 2
D-74532 Ilshofen-Eckartshausen
Germany

T: +49(0)7904 29899-60
F: +49(0)7904 29899-61
E: sales@bemo.com
W: www.bemo.com

This drawing is the exclusive property of BEMO Systems GmbH. It may not be duplicated or made accessible to third parties without our prior consent. We reserve all rights, including in the case of granting a patent or granting a utility model. The illustrated construction details are non-binding solution proposals, in detail must be checked for applicability and accuracy for each project.

BEMO EAVES TRIPPING ANGLE INCL.
 SEALING TAPE PLUS BEADING FILLER
 BEMO COVER SHEET
 BEMO STANDING SEAM PROFILE N65/N50
 BEMO HALTER

BEMO WD SOFT
 BEMO VAPOUR CONTROL LAYER

TEKOFIX
 FIXED POINT CONSOLE
 TEKOFIX
 CONSOLE EXTENSION
 BEMO SUPPORT PROFILE
 BEMO FACADE INSULATION
 BEMO SECRET FIX
 CASSETTE PANEL

DRAWING TITLE:

**OVERHANGING PITCH ROOF RIDGE
 RAFTER ROOF**

TYPE:

LONGITUDINAL SECTION

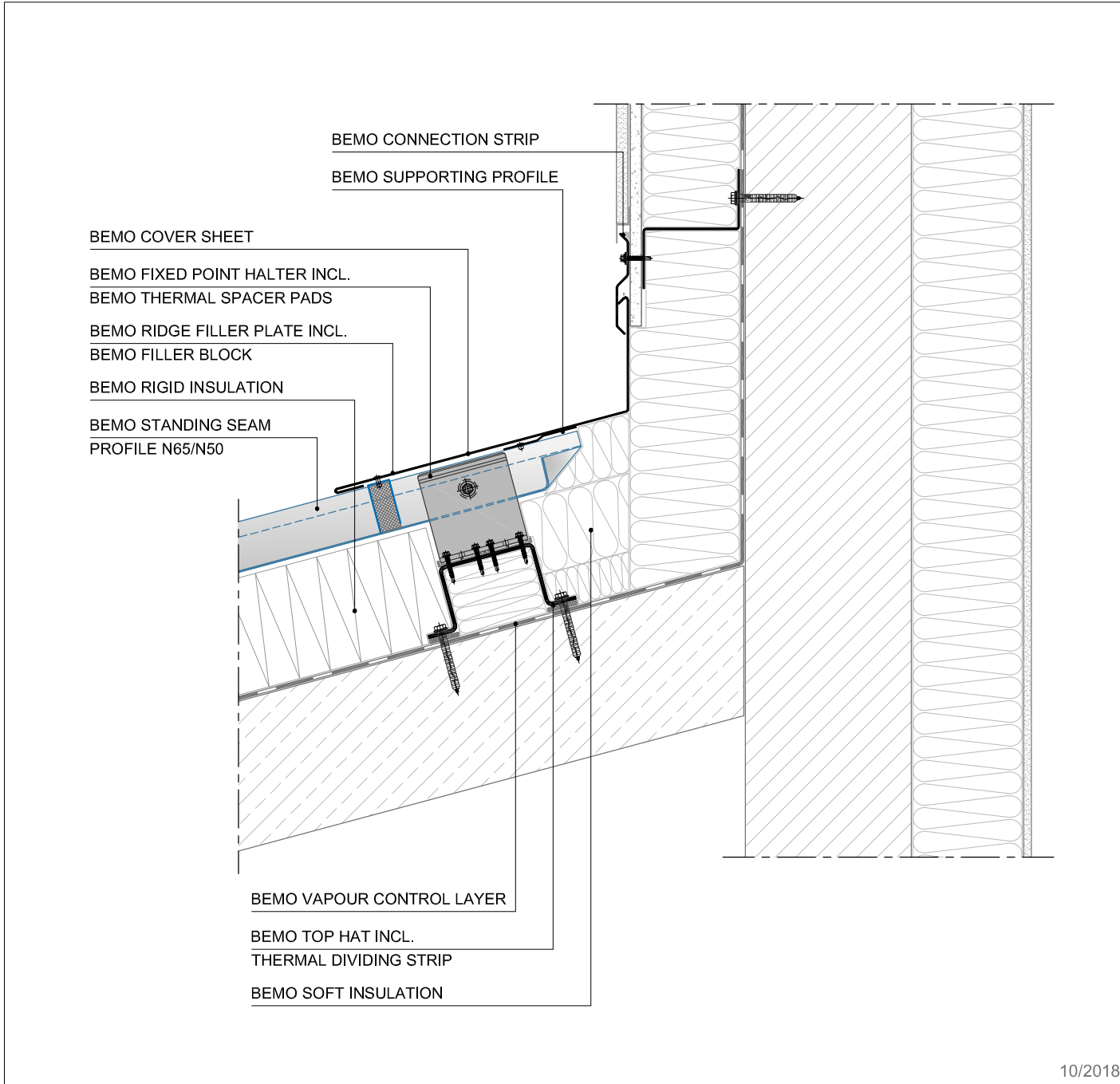
TYPICAL DETAIL

1205d

BEMO Systems GmbH
 Max-Eyth-Straße 2
 D-74532 Ilshofen-Eckartshausen
 Germany

T: +49(0)7904 29899-60
 F: +49(0)7904 29899-61
 E: sales@bemo.com
 W: www.bemo.com

This drawing is exclusively our property. It may not be copied or given to third parties without our prior consent. All rights, including rights created by patent grant or registration of a utility model or design, are reserved. The pictured construction details are non-binding proposals which have to be checked in detail for each project concerning applicability and correctness.



DRAWING TITLE:

**PITCH ROOF RIDGE AT WALL
REINFORCED CONCRETE**

TYPE:

LONGITUDINAL SECTION

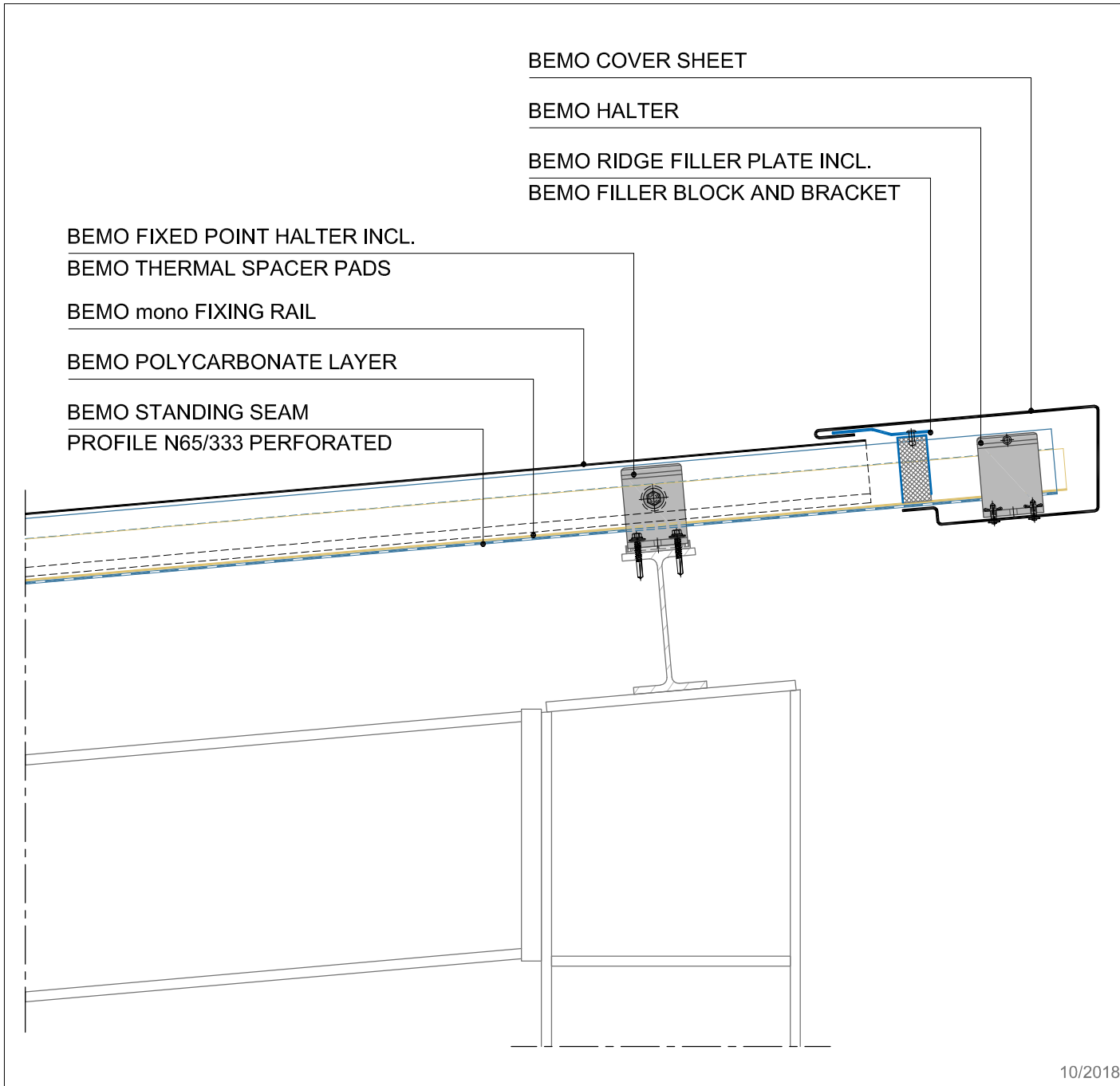
TYPICAL DETAIL

1206d

BEMO Systems GmbH
Max-Eyth-Straße 2
D-74532 Ilshofen-Eckartshausen
Germany

T: +49(0)7904 29899-60
F: +49(0)7904 29899-61
E: sales@bemo.com
W: www.bemo.com

This drawing is the exclusive property of BEMO Systems GmbH. It may not be duplicated or made accessible to third parties without our prior consent. We reserve all rights, including in the case of granting a patent or granting a utility model. The illustrated construction details are non-binding solution proposals, in detail must be checked for applicability and accuracy for each project.



DRAWING TITLE:

**PITCH ROOF RIDGE
OVER PURLIN SYSTEM**

TYPE:

LONGITUDINAL SECTION

TYPICAL DETAIL

1290

BEMO Systems GmbH
Max-Eyth-Straße 2
D-74532 Ilshofen-Eckartshausen
Germany

T: +49(0)7904 29899-60
F: +49(0)7904 29899-61
E: sales@bemo.com
W: www.bemo.com

This drawing is the exclusive property of BEMO Systems GmbH. It may not be duplicated or made accessible to third parties without our prior consent. We reserve all rights, including in the case of granting a patent or granting a utility model. The illustrated construction details are non-binding solution proposals, in detail must be checked for applicability and accuracy for each project.