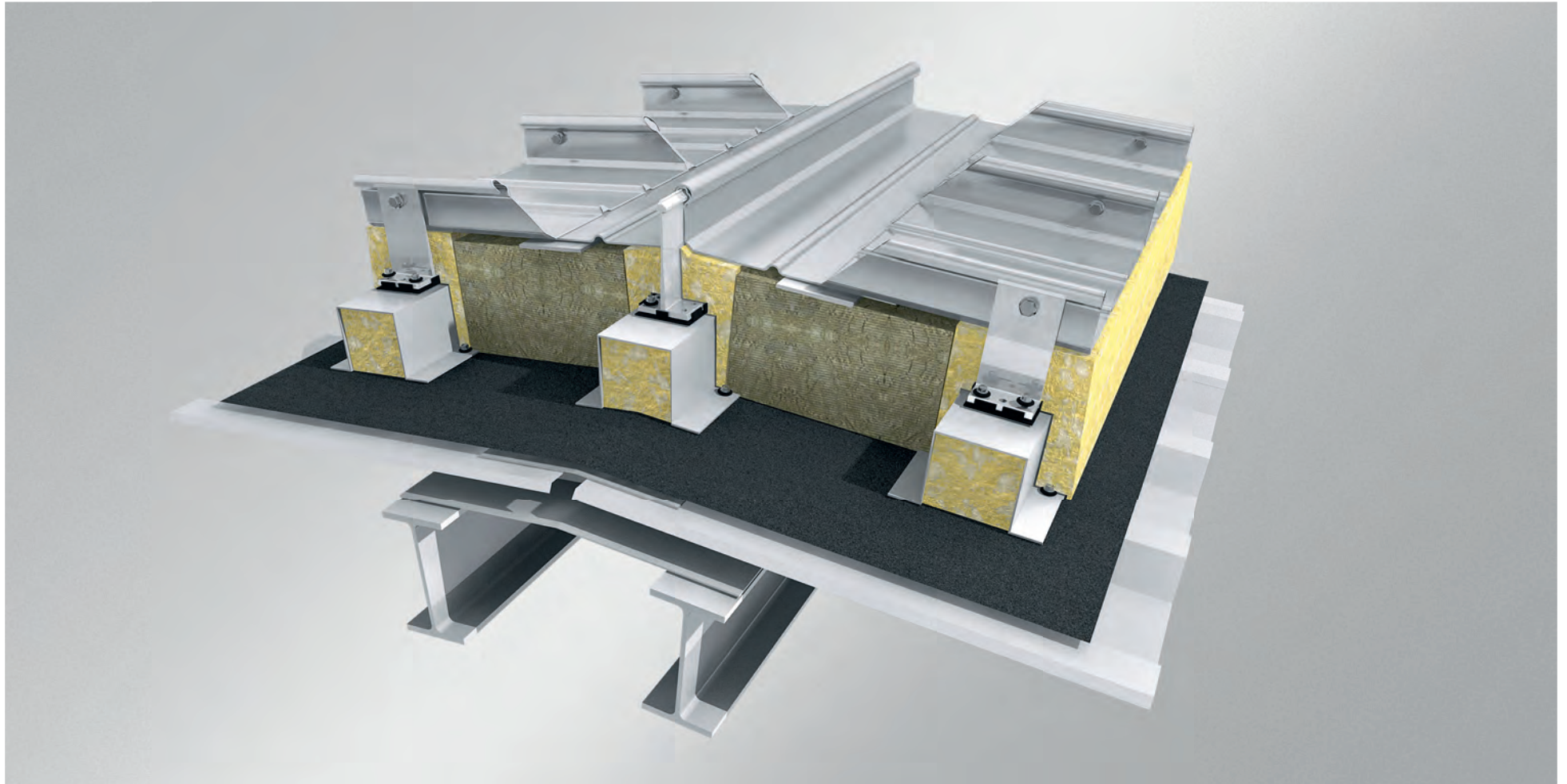
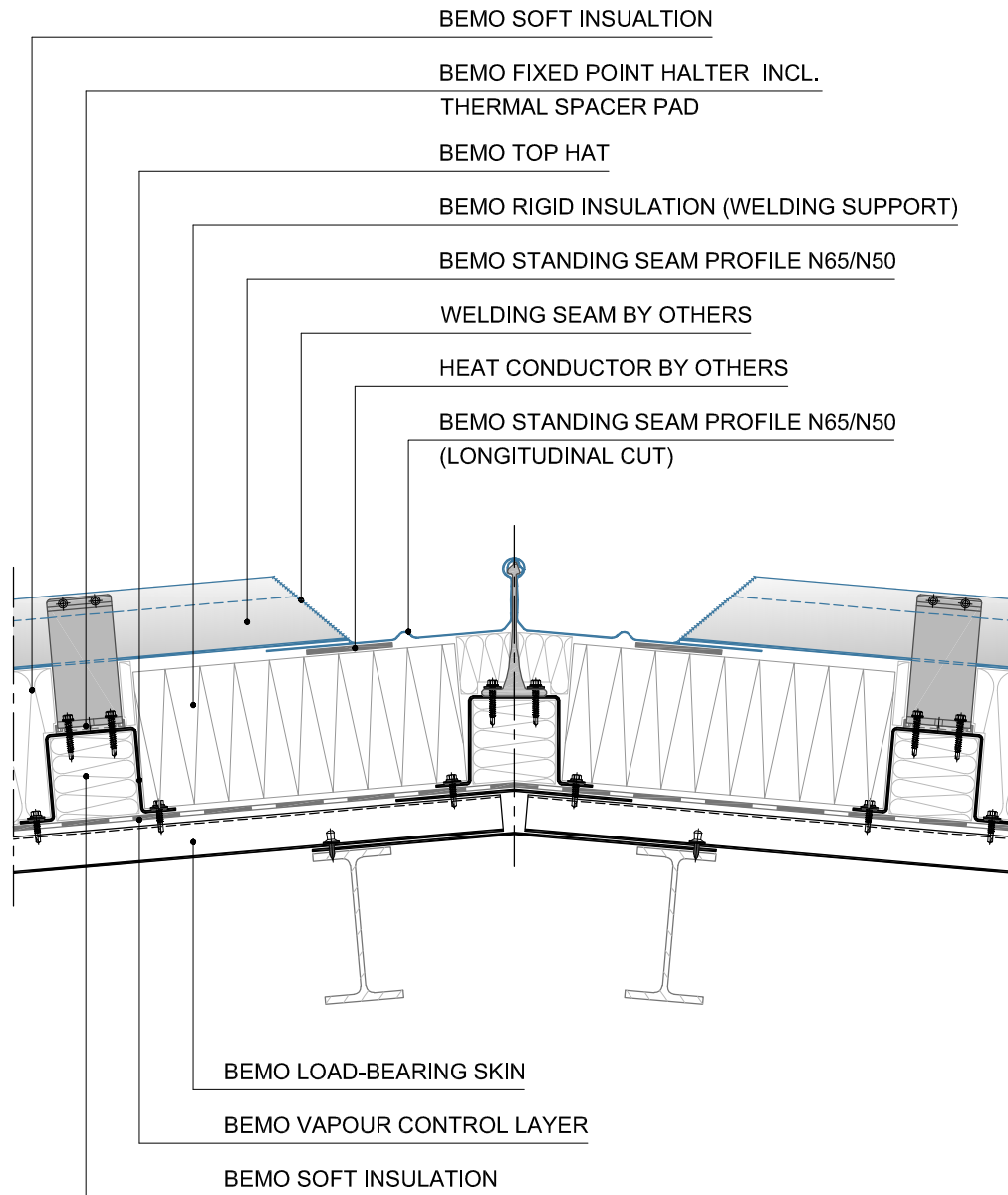

HIP AND JOINT





- *EXPANSION BANDS TO BE INSTALLED WHEN REQUIRED

DRAWING TITLE:

WELDED HIP WITH BEMO PROFILE OVER PURLIN SYSTEM

TYPE:

LONGITUDINAL SECTION

TYPICAL DETAIL

1601c

BEMO Systems GmbH
 Max-Eyth-Straße 2
 D-74532 Ilshofen-Eckartshausen
 Germany

T: +49(0)7904 29899-60
 F: +49(0)7904 29899-61
 E: sales@bemo.com
 W: www.bemo.com

This drawing is the exclusive property of BEMO Systems GmbH. It may not be duplicated or made accessible to third parties without our prior consent. We reserve all rights, including in the case of granting a patent or granting a utility model. The illustrated construction details are non-binding solution proposals, in detail must be checked for applicability and accuracy for each project.

BEMO STANDING SEAM PROFILE N65/N50

BEMO RIGID INSULATION (WELDING SUPPORT)

BEMO VAPOUR CONTROL LAYER

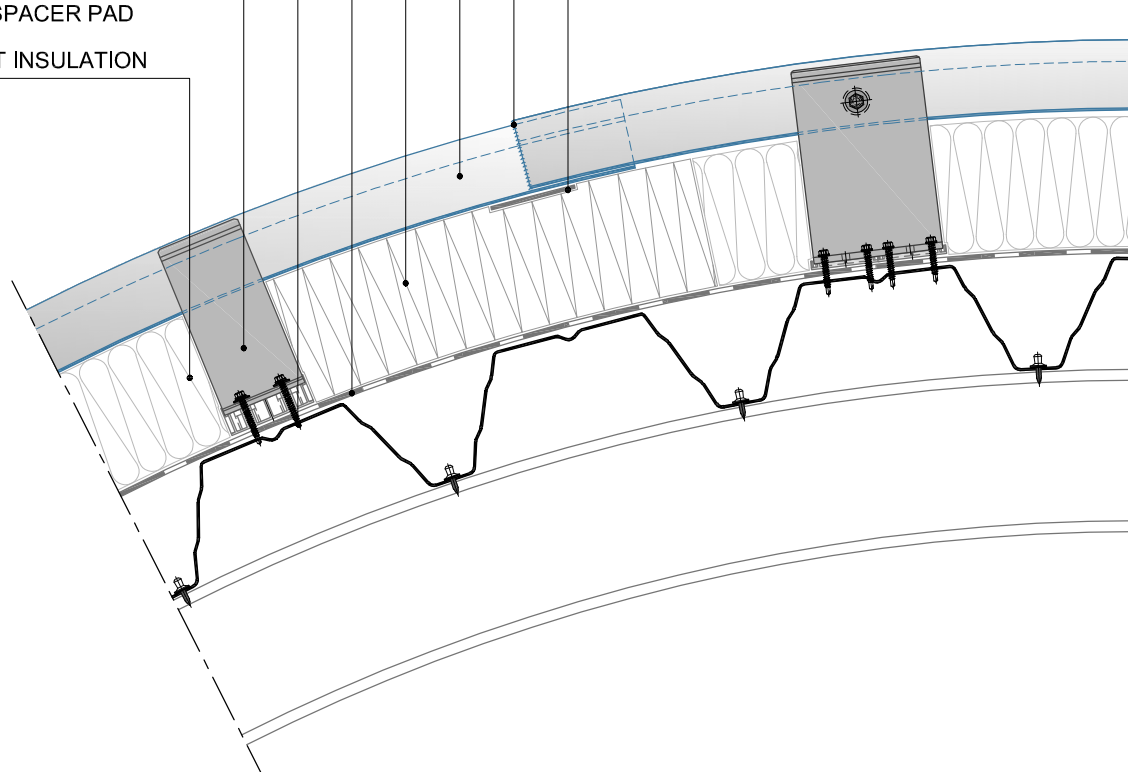
BEMO LOAD-BEARING SKIN

BEMO HALTER INCL.
THERMAL SPACER PAD

BEMO SOFT INSULATION

WELDING SEAM BY OTHERS

HEAT CONDUCTOR BY OTHERS



DRAWING TITLE:

**WELDED JOINT FOR CURVED ROOF
STRUCTURAL DECK (TRANSVERSE)**

TYPE:

LONGITUDINAL SECTION

TYPICAL DETAIL

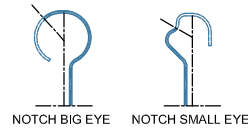
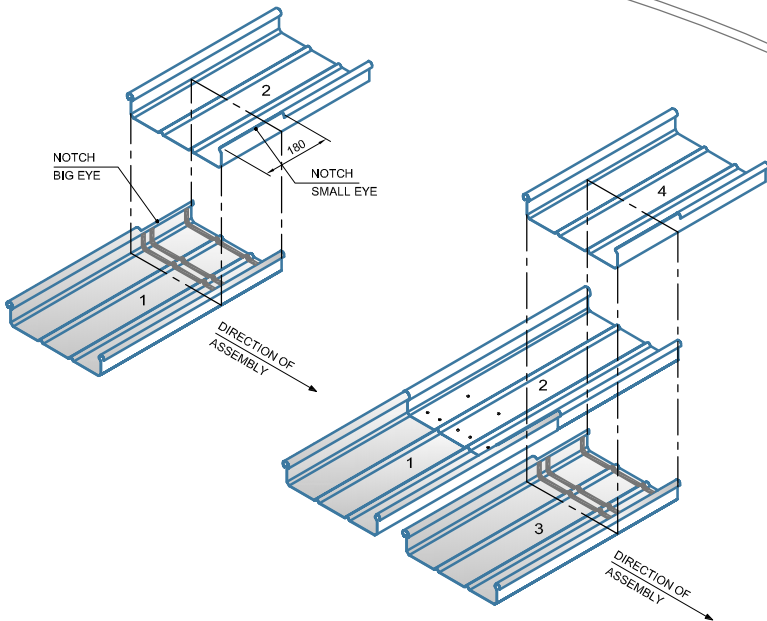
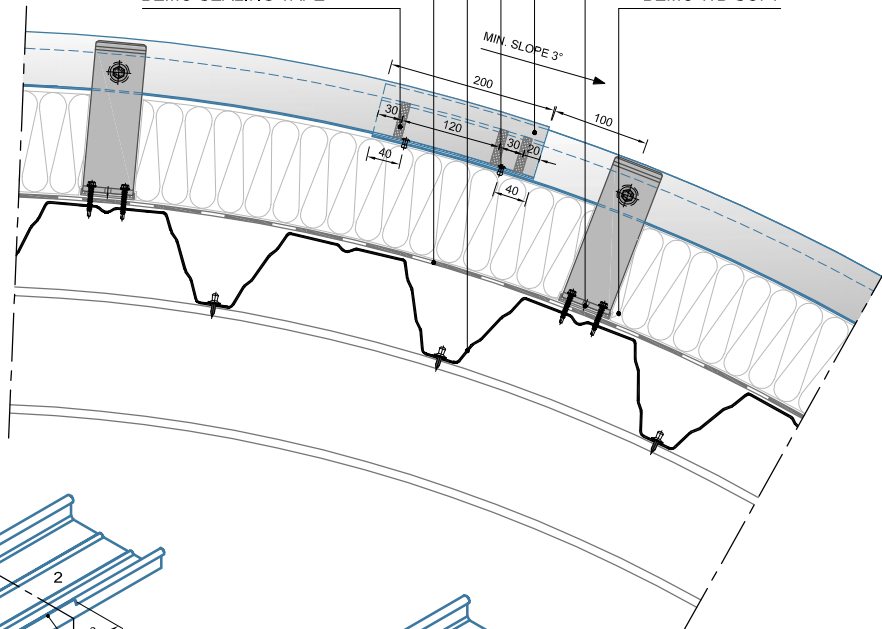
1611c

BEMO Systems GmbH
Max-Eyth-Straße 2
D-74532 Ilshofen-Eckartshausen
Germany

T: +49(0)7904 29899-60
F: +49(0)7904 29899-61
E: sales@bemo.com
W: www.bemo.com

This drawing is the exclusive property of BEMO Systems GmbH. It may not be duplicated or made accessible to third parties without our prior consent. We reserve all rights, including in the case of granting a patent or granting a utility model. The illustrated construction details are non-binding solution proposals, in detail must be checked for applicability and accuracy for each project.

BEMO STANDING SEAM PROFILE N65/N50
 BEMO WATERPROOF RIVET
 BEMO LOAD-BEARING SKIN
 BEMO VAPOUR CONTROL LAYER
 BEMO SEALING TAPE
 BEMO FIXED POINT HALTER INCL. THERMAL SPACER PAD
 BEMO WD SOFT



THICKNESS 1.2 MM:
 NOTCH ON BOTH EYES

THICKNESS 1.0 MM:
 NOTCH ONLY ON SMALL EYE
 NECESSARY

THICKNESS UP TO 0.9 MM:
 NOTCH IS NOT NECESSARY

DRAWING TITLE:

OVERLAPPING JOINT WITH RIVETS STRUCTURAL DECK (TRANSVERSE)

TYPE:

LONGITUDINAL SECTION

TYPICAL DETAIL

1612c

BEMO Systems GmbH
 Max-Eyth-Straße 2
 D-74532 Ilshofen-Eckartshausen
 Germany

T: +49(0)7904 29899-60
 F: +49(0)7904 29899-61
 E: sales@bemo.com
 W: www.bemo.com

This drawing is the exclusive property of BEMO Systems GmbH. It may not be duplicated or made accessible to third parties without our prior consent. We reserve all rights, including in the case of granting a patent or granting a utility model. The illustrated construction details are non-binding solution proposals, in detail must be checked for applicability and accuracy for each project.