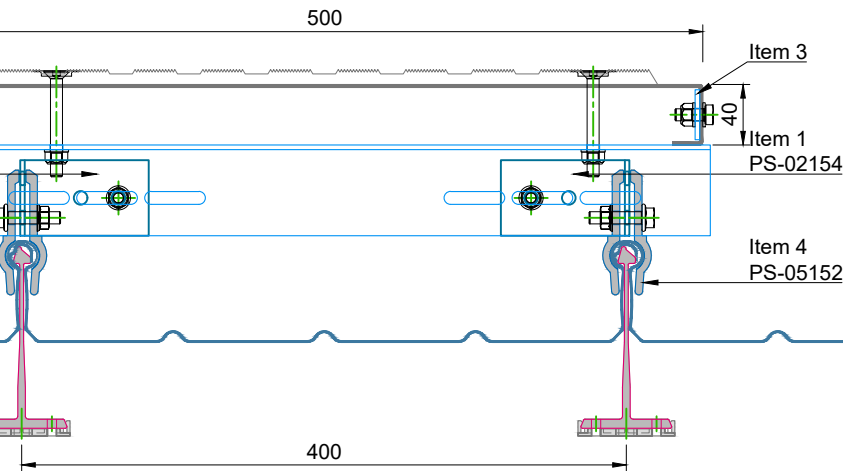
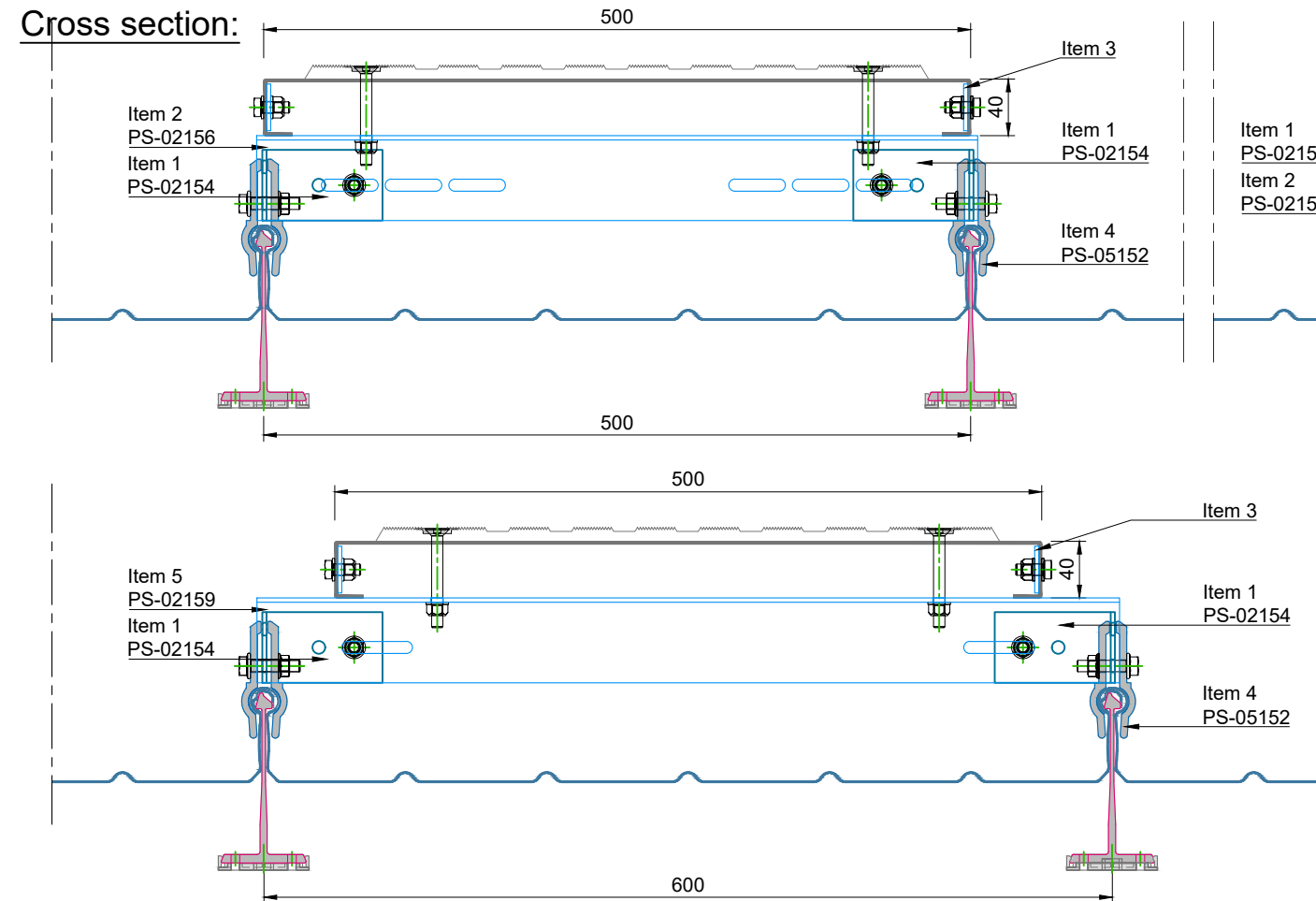
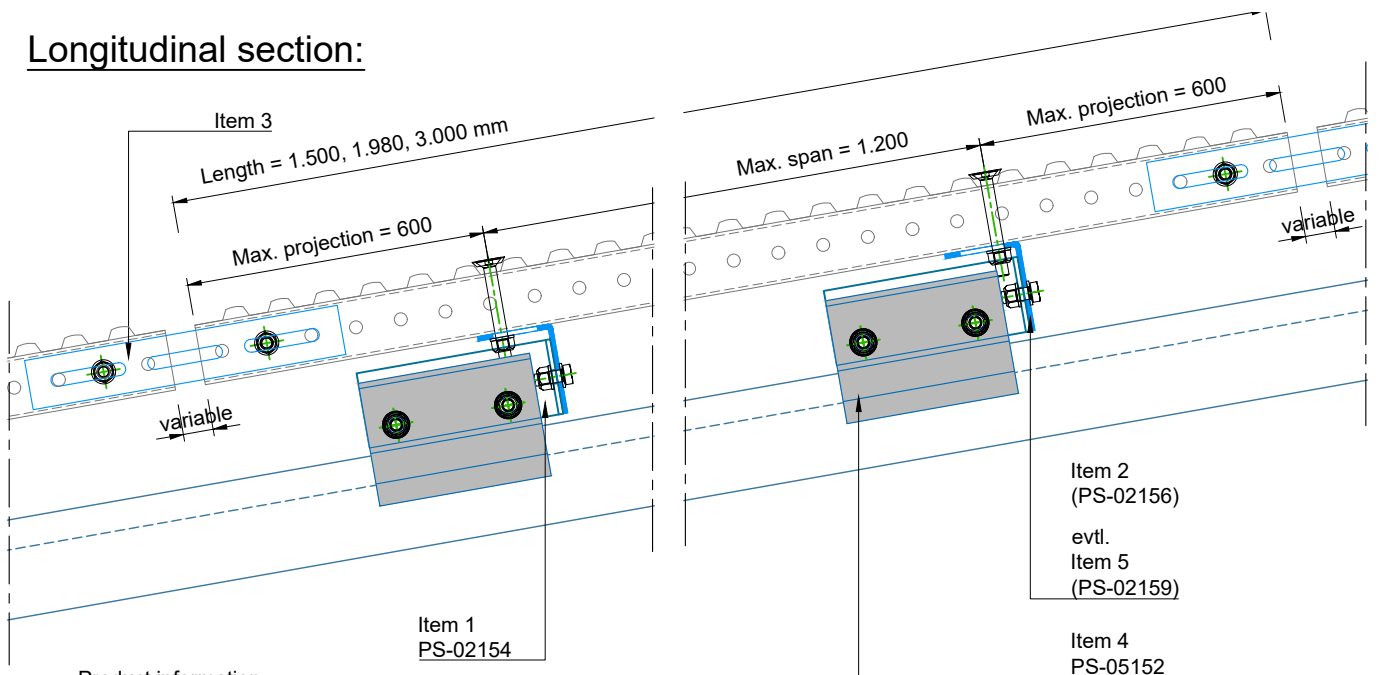


Cross section:

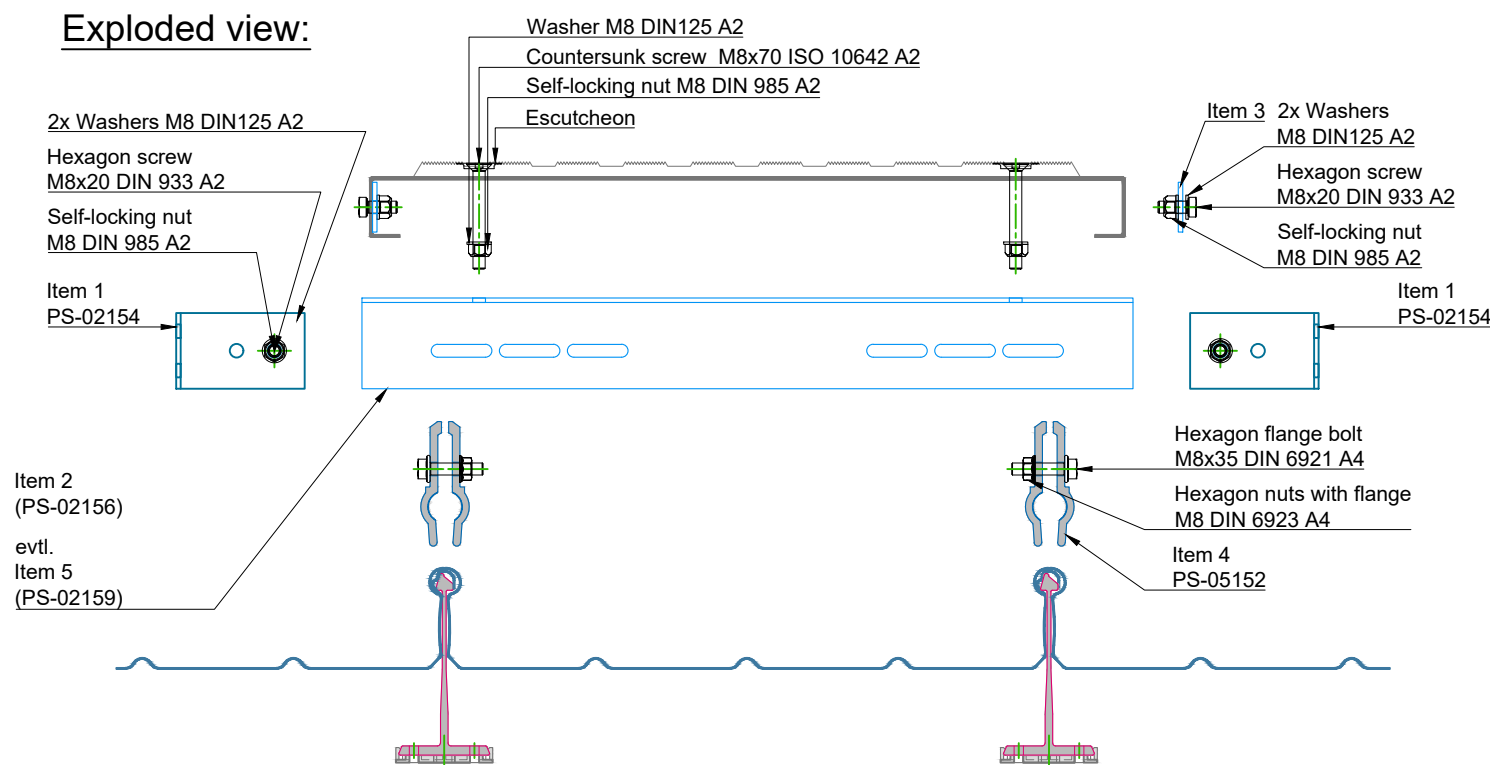


Longitudinal section:



The different standing seam widths with the appropriate mounting angle and the position of the connection angle are shown on data sheet PS-02078-EN.

Exploded view:



Product information:

Item	Item 1: Connection angle PS-02154	Item 2: Mounting angle PS-02156	Item 3: Connecting tab
Part number	101119	101118	101137
Materials	Aluminium	Aluminium	Aluminium
Material thickness	3 mm	3 mm	3 mm
Produktion length	130 mm	510 mm	210 mm

Item	Item 4: Retaining brackets for walkway L115 PS-02152	Item 5: Mounting angle 600 PS-02159
Part number	101106	101146
Materials	Aluminium	Aluminium
Material thickness	5 mm	3 mm
Produktion length	115 mm	610 mm

Designation:

BEMO-WALK OT

Example for roof pitch of 10° Roof
 pitch of 1.5 to 30° is possible

Type:

Walkway orthogonal to the eaves

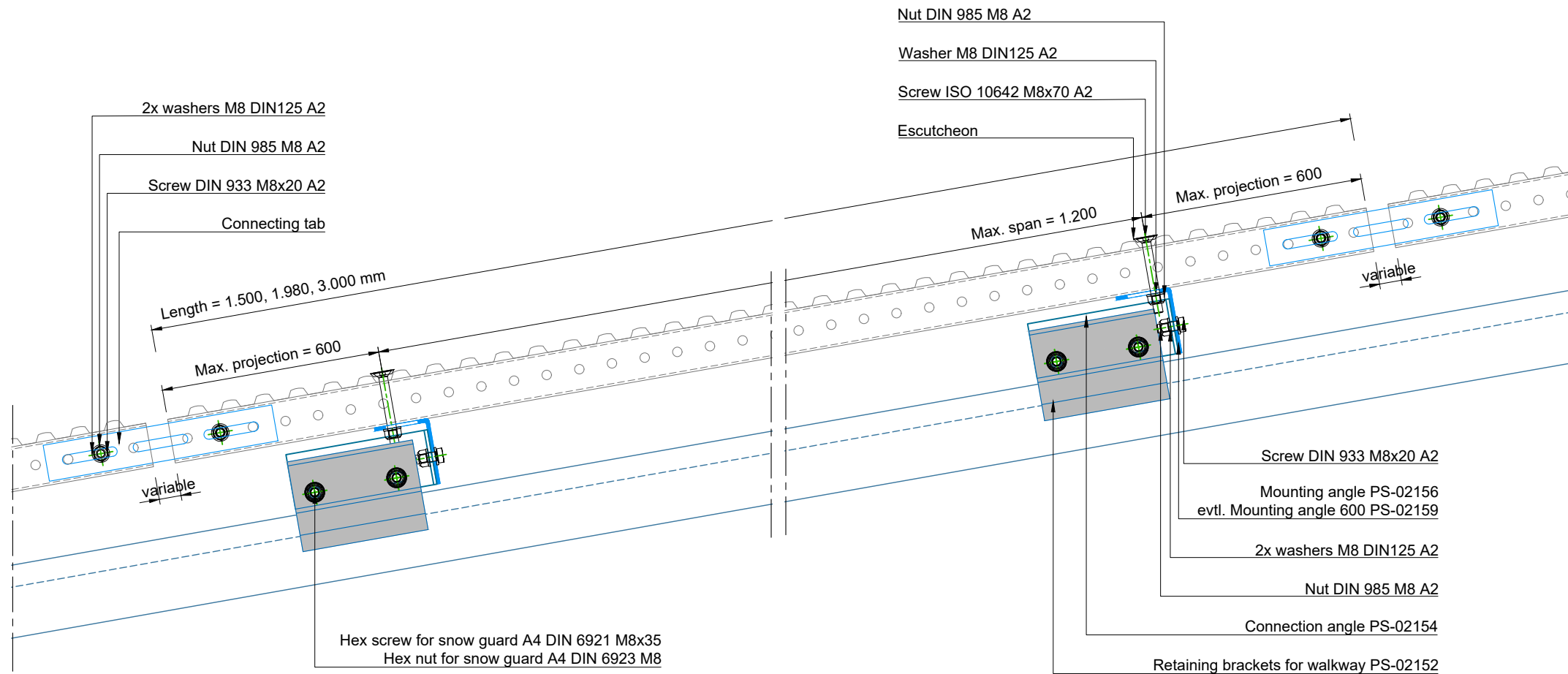
Width of standing seam webs 250 - 600 mm

This drawing is the exclusive property of BEMO SYSTEMS GmbH.
 It may not be reproduced or made available to third parties without our prior consent. We reserve all rights, even in the case of the granting of a patent or the granting of a utility model.

Data sheet number:

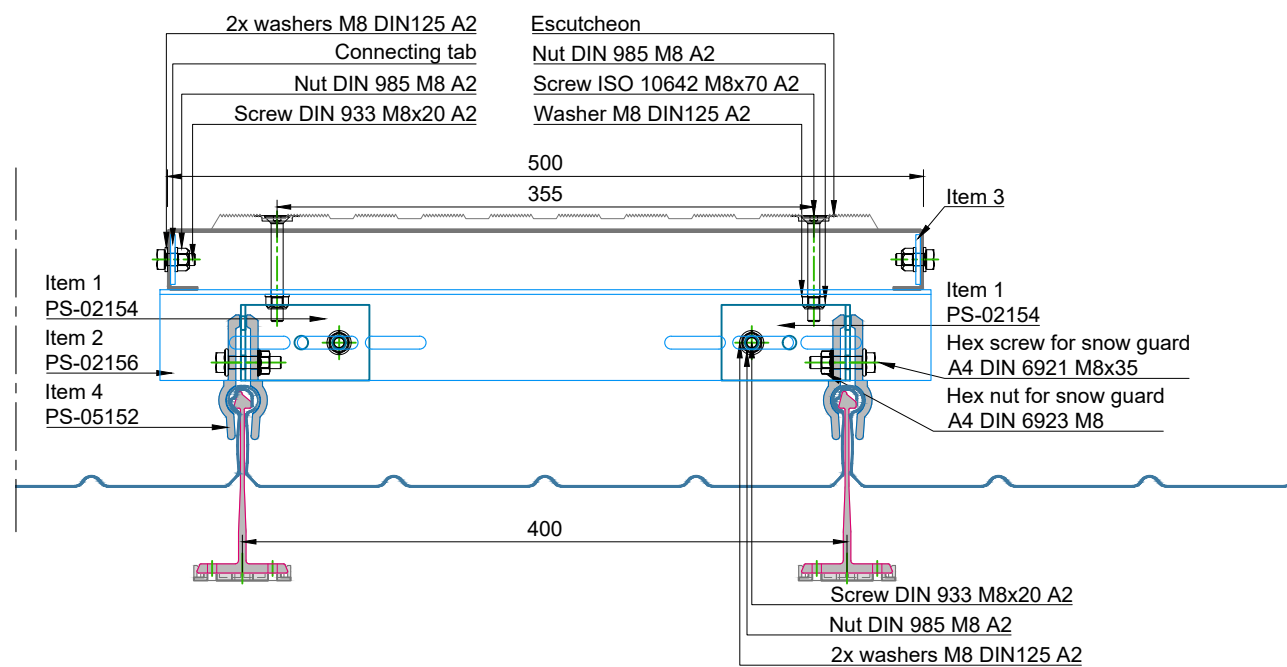
PS-02076_EN-REV03

Longitudinal section:



The different standing seam widths with the appropriate mounting angle and the position of the connection angle are shown on data sheet PS-02078-EN.

Cross section:



Product information:

Item	Item 1: Connection angle PS-02154	Item 2: Mounting angle PS-02156	Item 3: Connecting tab
Part number	101119	101118	101137
Materials	Aluminium	Aluminium	Aluminium
Material thickness	3 mm	3 mm	3 mm
Produktion length	130 mm	510 mm	210 mm

Item	Item 4: Retaining brackets for walkway L115 PS-02152	Item 5: Mounting angle 600 PS-02159
Part number	101106	101146
Materials	Aluminium	Aluminium
Material thickness	5 mm	3 mm
Produktion length	115 mm	610 mm

Designation:

BEMO-WALK OT

Example for roof pitch of 10° Roof
 pitch of 1.5 to 30° is possible

Type:

Walkway orthogonal to the eaves

Width of standing seam webs 250 - 600 mm

This drawing is the exclusive property of BEMO SYSTEMS GmbH.
 It may not be reproduced or made available to third parties without our prior consent. We reserve all rights, even in the case of the granting of a patent or the granting of a utility model.

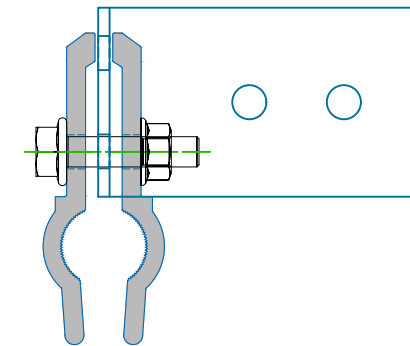
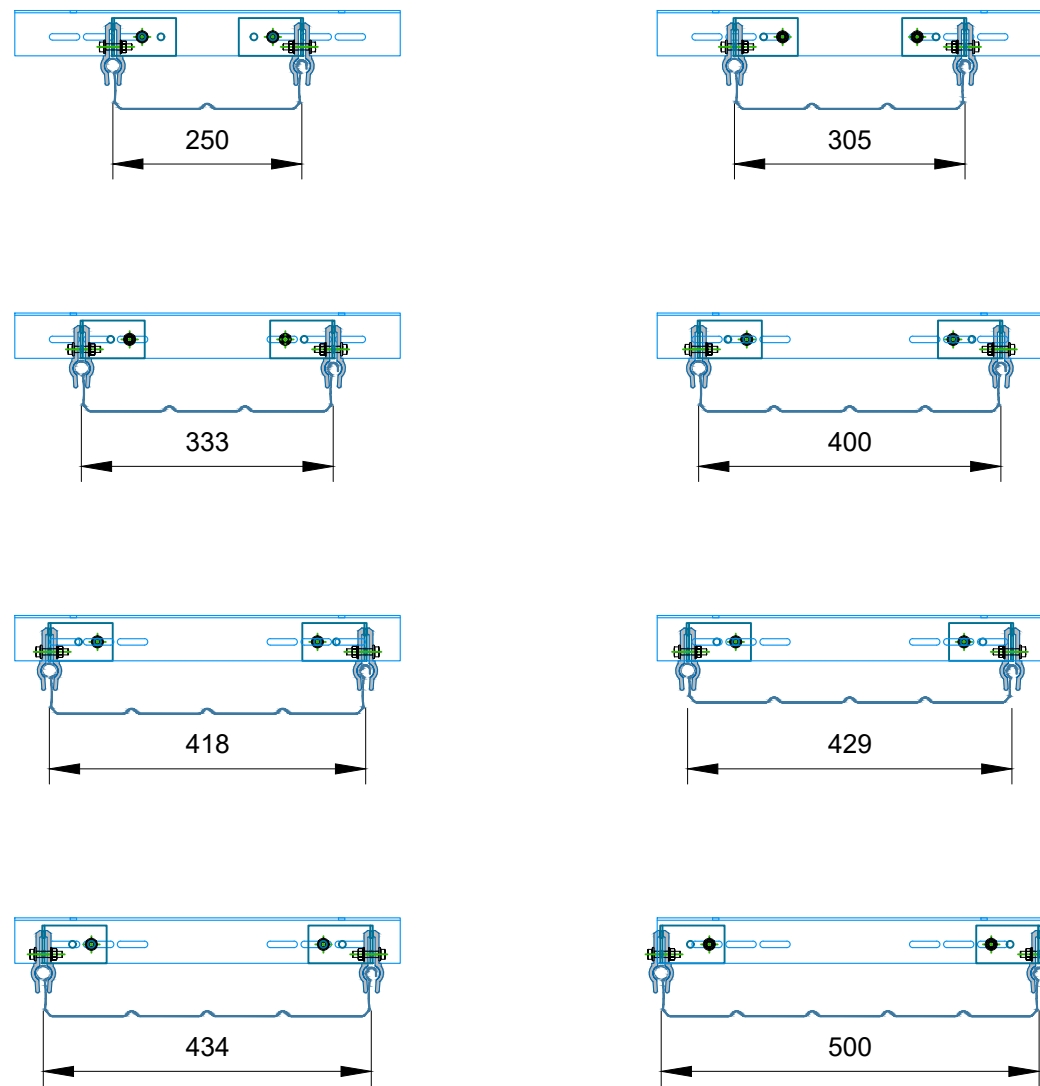
Data sheet number:

PS-02077_EN-REV03

Standing seam widths and the appropriate mounting angle:
Position of the connection angle:

Mounting angle: PS-02156

Mounting angle 600: PS-02159



Product information:

Item	Item 1: Connection angle PS-02154	Item 2: Mounting angle PS-02156	Item 3: Connecting tab
Part number	101119	101118	101137
Materials	Aluminium	Aluminium	Aluminium
Material thickness	3 mm	3 mm	3 mm
Produktion length	130 mm	510 mm	210 mm

Item	Item 4: Retaining brackets for walkway L115 PS-02152	Item 5: Mounting angle 600 PS-02159	
Part number	101106	101146	
Materials	Aluminium	Aluminium	
Material thickness	5 mm	3 mm	
Produktion length	115 mm	610 mm	

Designation:

BEMO-WALK OT

Example for roof pitch of 10° Roof
 pitch of 1.5 to 30° is possible

Type:

Walkway orthogonal to the eaves

Width of standing seam webs 250 - 600 mm

This drawing is the exclusive property of BEMO SYSTEMS GmbH.
 It may not be reproduced or made available to third parties without our prior consent. We
 reserve all rights, even in the case of the granting of a patent or the granting of a utility model.

Data sheet number:

PS-02078_EN-REV02